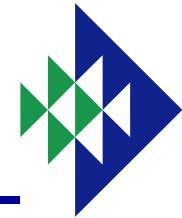




▶▶▶ **RO-2500**



PENTEK 4 Stage RO System



▶▶▶ Presentation Content



- Introduction
- How does the RO-2500 work?
- Parts included
- Specifications

▶▶▶ Introduction



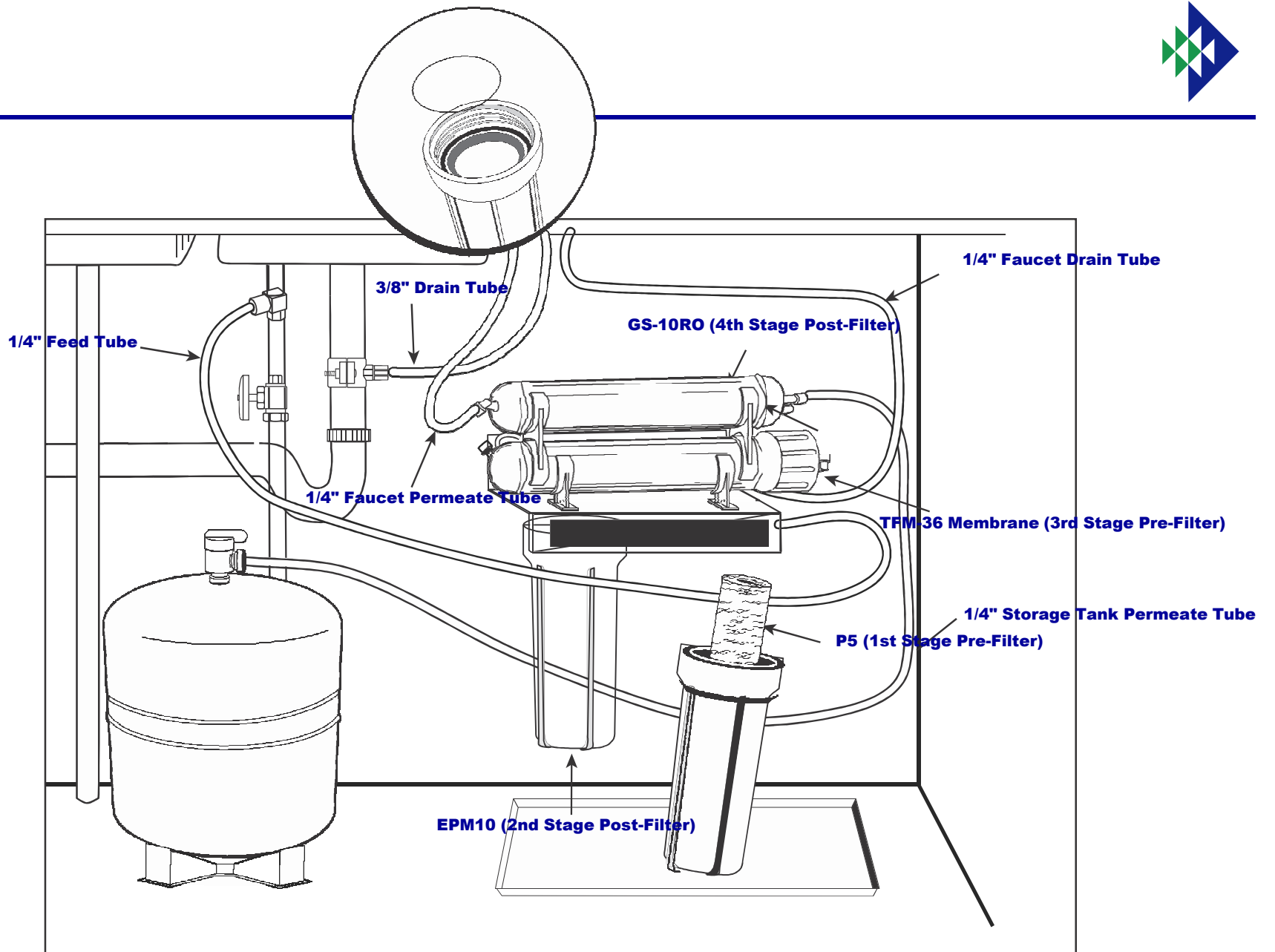
- ▶ Offers the finest level of water filtration available
- ▶ Reduces salts, dissolved minerals, bad taste & odor
- ▶ Typical applications:
 - Residential, POU applications
 - Undersink installations
 - Pretreatment for ice makers

▶▶▶ How does the RO-2500 work?



4-stage filter action:

- ▶ 1st stage: prefiltration with a sediment filter (P5)
- ▶ 2nd stage: prefiltration with a carbon filter (EPM10)
- ▶ 3rd stage: reverse osmosis with a TFM 36 membrane
- ▶ 4th stage: postfiltration with an activated carbon post-filter (GS-10RO-B)





▶▶▶ Specifications

- ▶ Thin Film Membrane: TFM-36
- ▶ Feed Water Pressure: 2.75–6.9 bar
- ▶ Temperature Range: 4.4–37.7 °C
- ▶ Maximum TDS: 2000 ppm
- ▶ Maximum Hardness: 171 mg/L
- ▶ Sulfide, Iron and Manganese: < 0.1 ppm
- ▶ Chlorine in Water Supply: < 2 ppm
- ▶ Maximum Turbidity: 5 NTU
- ▶ pH Limits: 3–11
- ▶ Daily Product Water Rate: 44.5 Lpd
- ▶ TDS Rejection: 92–99%



▶▶▶ System Dimensions

- ▶ Overall Dimensions: 34.29 cm W x 12.7 cm D x 43.8 cm H
- ▶ Weight: 7.84 kg
- ▶ Tank Dimensions: 34.29 cm W x 20.32 cm D x 22.86 cm H
- ▶ Tank Capacity Max: 4.9 L
- ▶ Tank Air Pressure Empty: 0.34 to 0.48 bar
- ▶ Tank Weight (Full): 6.5 kg



▶▶▶ Parts included

- ▶ Pre-assembled filter system (mounting bracket, membrane housing, membrane, pre- and post-filter housings and pre- and post-filter cartridges)
- ▶ Reverse osmosis membrane
- ▶ Storage tank
- ▶ Inlet supply adapter
- ▶ Chrome faucet
- ▶ Drain clamp
- ▶ Feed tubing
- ▶ 1/4-inch Tubing
- ▶ Sump wrenches
- ▶ Tank valve
- ▶ 3/8-inch Tubing

